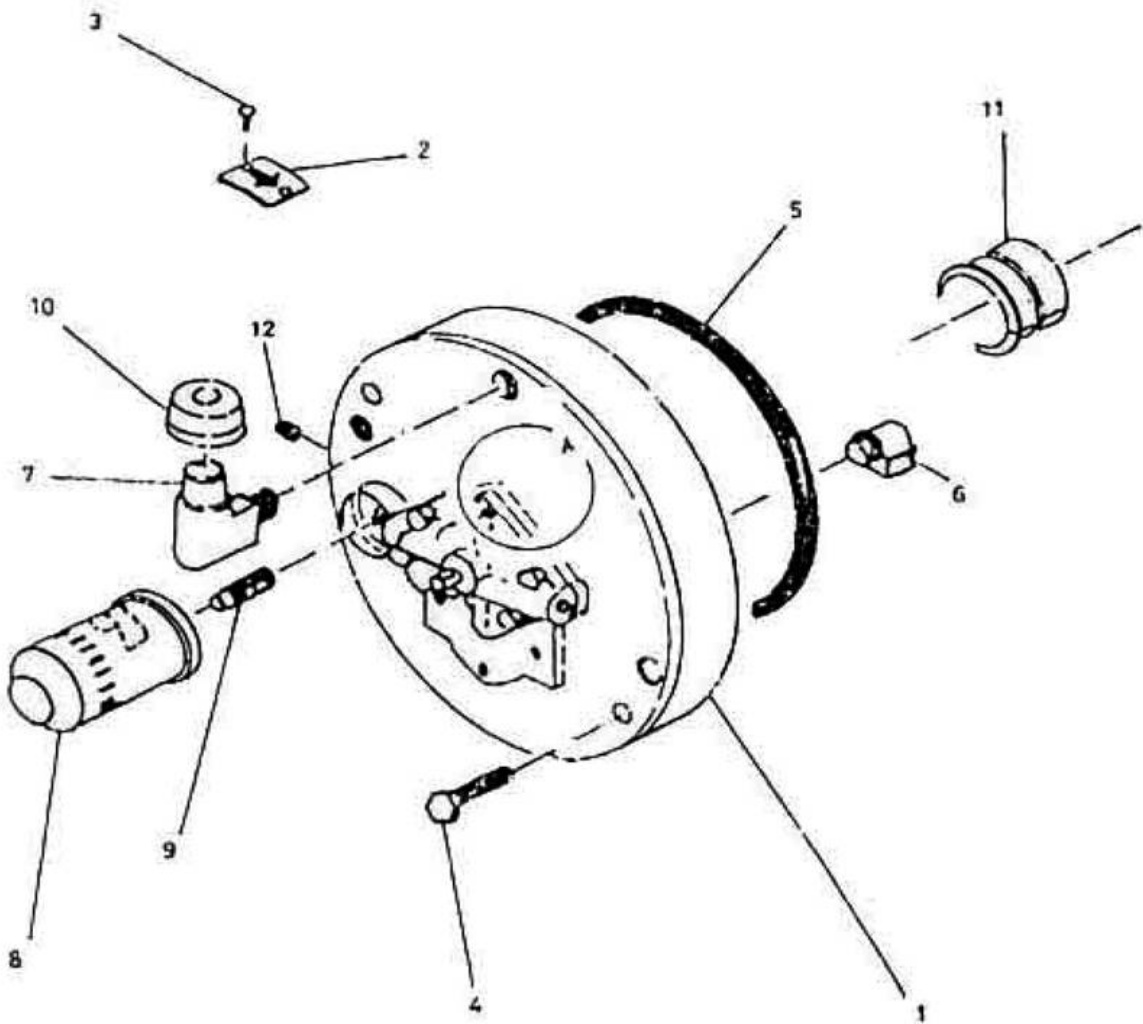


4. House Main Bearing & Oil Pump - Model 7 x 5 LUB



All manufacturer's names, numbers, photos, product description and/or part numbers are used for reference purposes only & it is not implied that any part listed is the product of these manufacturers. Since Approvement are made from time to time, the illustration and specifications are subject to change without notice.

4. House Main Bearing & Oil Pump - Model 7 x 5 LUB

COMPRESSOR PARTS LIST						
ASSEMBLY NAME : HOUSING MAIN BEARING & OIL PUMP						
ASSEMBLY DRAWING : FIG-1B						
SR. NO.	DESCRIPTION	PART NO.	QTY	UNIT	ILLUS NO.	RECOM. SPARES QTY.
1	HOUSING MAIN BEARING	3707 3624	1	NO.	1	
2	PLATE ROTATION	3951 6646	1	NO.	2	
3	SCREW MACHINE 0.114" X 0.25"	3917 5070	2	NO.	3	
4	SCREW CAP HEX HEAD 5/8" X 3/4"	9510 4477	2	NO.	4	
5	"O" RING 10-1/2" X 11" X 1/4"	9509 8067	1	NO.	5	1
6	ELBOW MALE 5/8"	9442 5162	1	NO.	6	
7	BREATHER ELBOW	3931 4323	1	NO.	7	
8	FILTER OIL	3047 2161	1	NO.	8	1
9	ADAPTER OIL FILTER	3017 9220	1	NO.	9	
10	CAP BREATHER	3055 7888	1	NO.	10	
11	BUSH MAIN BEARING HOUSING 5"	3055 7557	2	NO.	11	2
12	PLUG CO. SUNK 3/8"	9510 1705	2	NO.	12	

All manufacturer's names, numbers, photos, product description and/or part numbers are used for reference purposes only & it is not implied that any part listed is the product of these manufacturers. Since Approvement are made from time to time, the illustration and specifications are subject to change without notice.